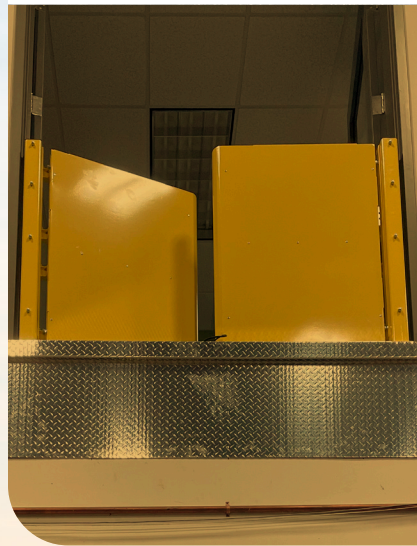
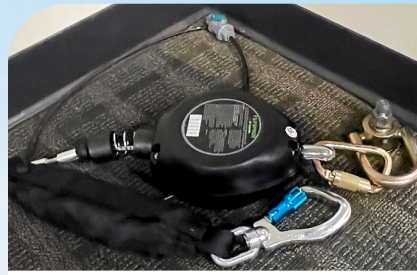


CASE STUDY

LEADING EDGE FALL HAZARD



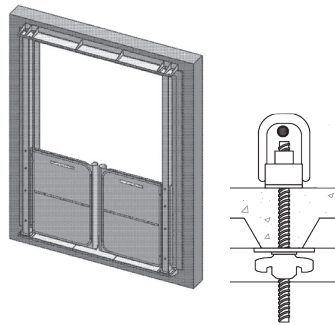
SITUATION

- Receiving area in warehouse
- Open access doors exposing leading edge fall hazard
- Issued OSHA citation for non-compliance



ACTION

- Installed (2) single point swivel anchors with back plate at end of hallway near access doors
- Provided SRLs, harnesses and training on use of fall arrest system
- Eliminated hazard with passive fall protection (no training required) by installing mezzanine gate



RESULT

- Met and exceeded OSHA regulations for compliance
- Reacted quickly to create safe work environment and promote positive safety culture
- Reduced exposure to risk including costly fines and expenses resulting from a fall event

